

eVO 300
eVO 400

OPHTHALMIC DIAGNOSIS



FOCUSSED ON PERFORMANCE

eVO 300



Perfect clarity, fluidity, ergonomics and innovation, these were the guiding aspects of design of eVO300-400 series slit lamps. A highly efficient illumination system, two distinct configurations, brilliance of apochromatic optical system, integrated beam splitter for quick adaptation of cameras and a built-in Wratten filter for dry-eye detection renders eVO 300-400 slit lamps with features that are a class apart. A host of cameras and accessories extend the performance spectrum of these instruments from basic diagnosis to digital documentation work. Mounted on a durable metal platform, these systems are easy to install and configure to any diagnostic room environment.

eVO 400

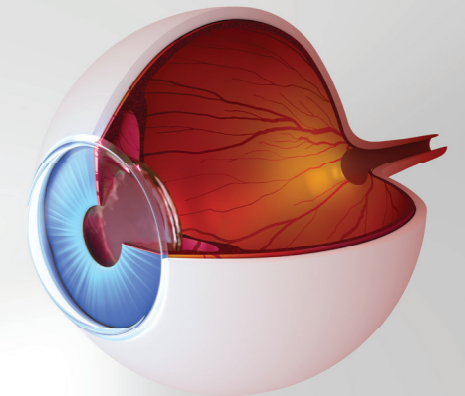


eVO300 delivers top of the line performance with its superb 5-step magnification changer and viewing tubes with a very high eye-relief. Its a compact and efficient solution using a 20W Halogen transmitted light illumination source. The instrument movements are fluid, accurate and repeatable. eVO400 delivers brilliant imagery and razor sharp slit projection in X-Y direction through its reflected beam. Both configurations share the same optical system for the slit image magnification. The chin rest device on these instruments is made from anti-toxic and irritation proof materials extending full comfort and safety to the patient.

eVO 300-400 eliminate the need for investing in expensive beam-splitters for upgrading the instruments with cameras for imaging solutions. With a first of its kind concept, these instruments come loaded with optics and ports that make hooking CCD or USB cameras of your choice a plug and play experience. Goldman Tonometer (R Type and T Type) with their precise mounting arrangements provide perfect alignment and contact for accurate readings. Also available are diffuser filter kits unique to both these instruments for even lighting of ROI of the eye for photography work.

All optics are lead free and all paints are with antimicrobial additives. Parts that come in contact with patient are certified to be having anti-irritation and anti-toxicity properties ensuring a healthier work environment.

LABOMED's Maxlite™ coated optics, standard in all the eVO series slit lamps yield crisp and detailed images. These coatings render eVO optics with anti-fungal, anti-fog and scratch resistant properties.

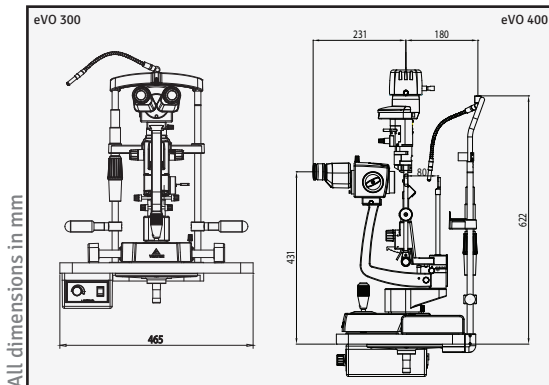


A SYSTEM FITTED WITH ALL THAT IS NEEDED

eVO 300 / eVO 400

ITEM	eVO 300	eVO 400
Microscope	Galilean	Galilean
Magnification	5 step: 6.5X, 10X, 16X, 25X, 40X	5 step: 6.5X, 10X, 16X, 25X, 40X
Eyepieces	WF 12.5X/18 mm, diopter adj. \pm 5 mm	WF 12.5X/18 mm, diopter adj. \pm 5 mm
IPD range	48.5 - 77 mm	48.5 - 77 mm
Slit length/width	0 - 13.5 mm	0 - 12 mm
Slit apertures	0.6, 5.8, 9, 13.5 mm and continuous	0.3, 1, 3, 5, 9, 12 mm and continuous
	1.5 to 12.0 mm	1.5 to 12.0 mm
Slit rotation	0 - 180°	0 - 180°
Slit tilt	-	20°
Filters	Red free, Cobalt blue, Heat absorbing	Red free, Cobalt blue, Heat absorbing, Neutral density
Movement ranges:		
Longitudinal (in/out)	100 mm	100 mm
Lateral (left/right)	107 mm	107 mm
Vertical (up/down)	30 mm	30 mm
Chin rest range	80 mm	80 mm
Illumination	6V 20W Halogen	6V 20W Halogen
Table base size	465 mm X 316 mm	465 mm X 316 mm
Weight	25 kg (packed)	24 kg (packed)
Voltage	100-240V AC	100-240V AC
Frequency	50-60 Hz	50-60 Hz
Optional accessories	Tonometer, Beam splitter, Cameras, Diffuser, Motorized table	Tonometer, Beam splitter, Cameras, Diffuser, Motorized table

SPECIFICATIONS



DESCRIPTION

eVO 300
eVO 400

CONFIGURATION

5 step Slit Lamp
5 step Slit Lamp

CATALOG NO.

8126200
8127200



Labomed Europe
Essebaan 50
NL-2908 LK Capelle a/d IJssel
The Netherlands

tel: +31 (0)10 4584222
fax: +31 (0)10 4508251
e-mail: info@labomedeuropa.com

www.labomedeuropa.com

*Labomed Europe, a division of Breukhoven b.v.



ISO 9001 : 2008

LABOMED 

Distributor

8126600-796 1.1
© Labo America, Inc. All rights reserved.