

# EMALED | EXAMINATION LIGHT 200F



## FIELD OF APPLICATION:

- Lighting of the operating field on small surgical interventions and diagnostic examinations.

- Illumination 50.000 lx

## TECHNISCHE DATEN

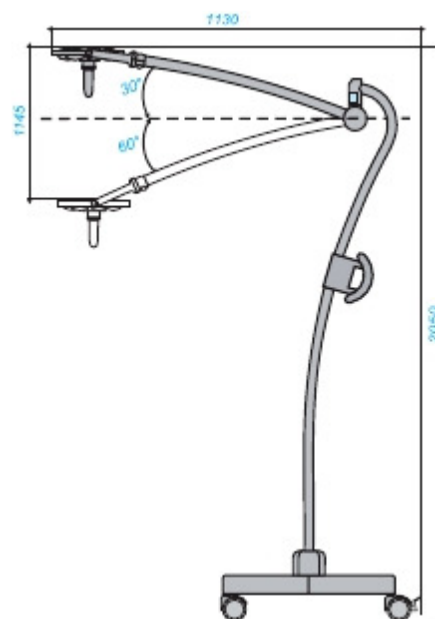
<i>Illumination</i>	50.000 lx
<i>Lighting intensity</i>	30 – 100 %
<i>Diameter of operating field D<sub>10</sub></i>	140 mm
<i>Diameter of operating field D<sub>50</sub></i>	80 mm
<i>Operating distance</i>	70 – 140 cm
<i>Colour temperature</i>	4.200 K
<i>Colour rendering index</i>	92 Ra
<i>Total irradiance</i>	150 W/m <sup>2</sup>
<i>Irradiance</i>	3,3 W/m <sup>2</sup> lx
<i>life expectancy</i>	40.000 hrs
<b>Residual illumination</b>	
<i>with two masks</i>	50 %
<i>with tube</i>	98 %
<i>with tube and two masks</i>	40 %
<b>Electrical Parameters</b>	
<i>Main voltage</i>	230 V
<i>Frequency</i>	47 – 63 Hz
<i>Power consumption</i>	10 VA
<b>Mechanical Parameters</b>	
<i>weight of lighting element</i>	1 kg
<i>weight incl. support frame</i>	20 kg

## EXAMINATION LIGHT 200F

The examination light EMALED 200 F is the mobile version of the series 200. Its mobility through wheels allows this examination lamp 200 F to be used in several rooms.

- Natural colour rendering; no infrared and ultraviolet radiation
- Diameter of operating field 140 mm; fixed focus
- Long durability of LED's (at least 40.000 hrs)
- Lamp shows low release of heat
- No moveable parts in the light bodies – low costs for maintenance
- Low power consumption of 10 VA only
- Adjustable illumination having three levels at consistent colour temperature

## LABEL



**DOIC**  
MEDICINSK TEKNIK



### DOIC AB

S:t Pedersgatan 15 BV  
25437 Helsingborg Tel: 042-154410

W [www.doic.se](http://www.doic.se) | E [info@doic.se](mailto:info@doic.se)